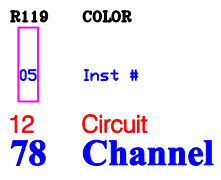
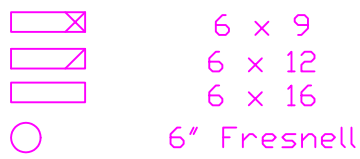
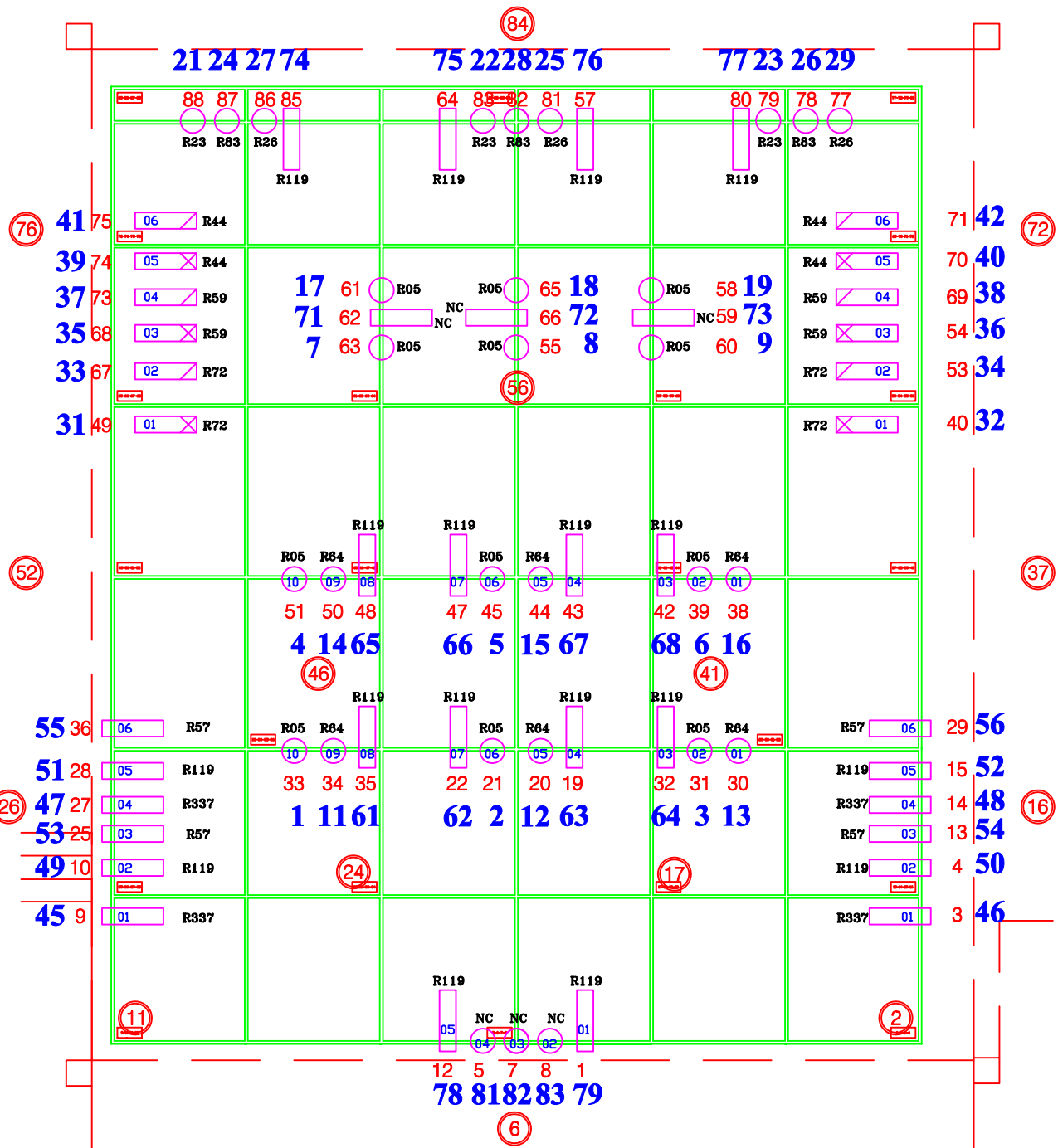


# DUKE POWER HOUSE PLOT



Drafted by:  
 Rick Moll  
 02-21-08

This document was created with Win2PDF available at <http://www.daneprairie.com>.  
The unregistered version of Win2PDF is for evaluation or non-commercial use only.